

PNEUMATIC OR NORMAL OPERATION

INSURE DECLUTCH LEVER IS ROTATED DOWN TOWARDS VALVE AND PIN "A" IS FIRMLY SEATED AGAINST THE BODY. THE BLOCK AND BLEED OPERATION KNOB SHOULD BE PUSHED IN SO THAT THE LOCKOUT HOLE IN THE STEM IS NOT VISIBLE

MANUAL OVERRIDE OPERATION

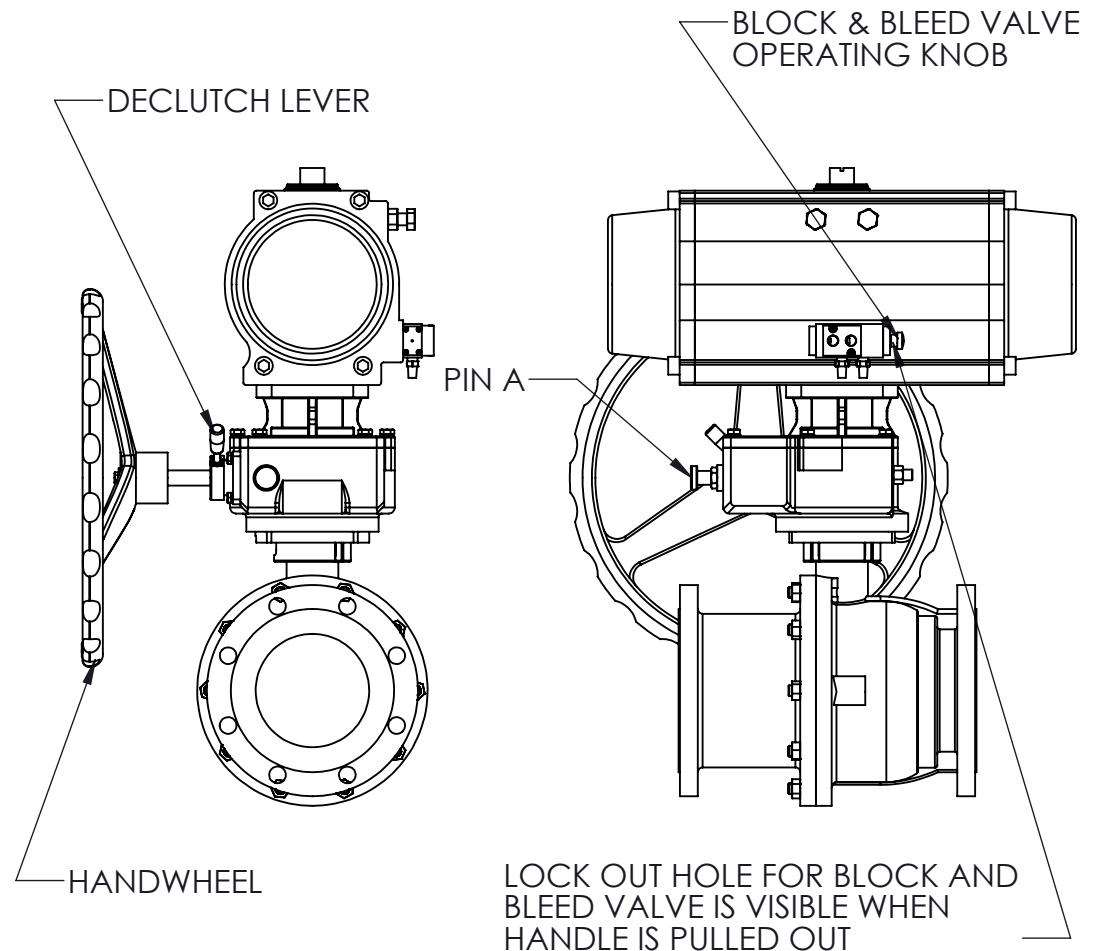
PULL OUT THE BLOCK AND BLEED VALVE OPERATING KNOB. THIS WILL RELIEVE THE PRESSURE TO THE ACTUATOR. A DOUBLE ACTING ACTUATOR WILL REMAIN IN POSITION AND A SPRING RETURN WILL GO TO THE NORMAL FAILURE POSITION AS DIRECTED BY THE SPRING ACTION. PULL PIN "A" AND ROTATE THE DECLUTCH LEVER UP TOWARDS THE ACTUATOR. A SLIGHT ROTATION OF THE HANDWHEEL MAY BE REQUIRED TO ENGAGE THE WORM GEAR. BE SURE PIN "A" RESEATS AGAINST THE HOUSING. DO NOT OPERATE THE MANUAL OVERRIDE WITH PIN "A" EXTENDED. ROTATE THE HANDWHEEL COUNTER-CLOCKWISE TO OPEN THE VALVE OR TURN THE ACTUATOR AND FLOW DEVICE COUNTER-CLOCKWISE.

CAUTION: DO NOT DISENGAGE MANUAL OVERRIDE WITH SPRINGS COMPRESSED.

TO RETURN TO NORMAL OPERATION TURN THE HANDWHEEL BACK TO THE STARTING POSITION IE: FOR A SPRING RETURN THAT WOULD BE THE FAILED POSITION OR WHERE THE SPRINGS ARE NOT COMPRESSED.

PULL PIN "A" AND ROTATE DECLUTCH LEVER UPWARD TILL PIN "A" DROPS BACK IN FIRMLY AGAINST THE HOUSING. THE HANDWHEEL SHOULD ROTATE FREELY AT THIS TIME.

CAUTION: BEFORE PUSHING THE BLOCK AND BLEED OPERATING KNOB IN. BE SURE YOU KNOW WHAT THE ACTUATOR IS GOING TO DO. IE: IS IT GOING TO REMAIN IN PLACE AND WILL THIS ACTION CAUSE THE ACTUATOR TO BEGIN TURNING. ONCE THE OPERATING KNOB IS PUSHED IN THE ACTUATOR IS BACK IN NORMAL PNEUMATIC OPERATION.

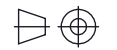


THE DESIGN AND DISCLOSURE CONTAINED IN THIS DRAWING WAS ORIGINATED BY, AND IS EXCLUSIVE PROPERTY OF A-T CONTROLS, INC. IT IS FURNISHED FOR VENDOR INFORMATION ONLY AND IS NOT AN AUTHORIZATION OR LICENSE TO MAKE THIS CONSTRUCTION OR TO FURNISH THIS INFORMATION TO OTHERS. ALL DRAWINGS MUST BE RETURNED TO A-T CONTROLS, INC. ON DEMAND. THIS DRAWING IS NOT TO BE REPRODUCED OR COPIED IN ANY FORM WITHOUT THE EXPRESS WRITTEN PERMISSION OF A-T CONTROLS, INC.



Division of A-T Controls, Inc.
9955 International Boulevard
Cincinnati, Ohio 45246
Phone: (513) 247-5465
Fax: (513) 247-5462

DRAWN	CHS	CHECKED BY	NPM	APPROVED
DATE	1/28/2014	DATE	1/28/2014	DATE
DESCRIPTION				
2RDGO OPERATING INSTRUCTIONS				



TOLERANCE UNLESS OTHERWISE SPECIFIED:
TWO PLACE DECIMAL
DIM. ±0.02
THREE PLACE DECIMAL
DIM. ±0.010
ANGULAR DIM. ±0°-30°
DO NOT SCALE DRAWINGS

1560	08/18/2014	CHS
ECN#	DATE	BY