

# WB Series

## Well Site Block & Bleed Valve Assembly



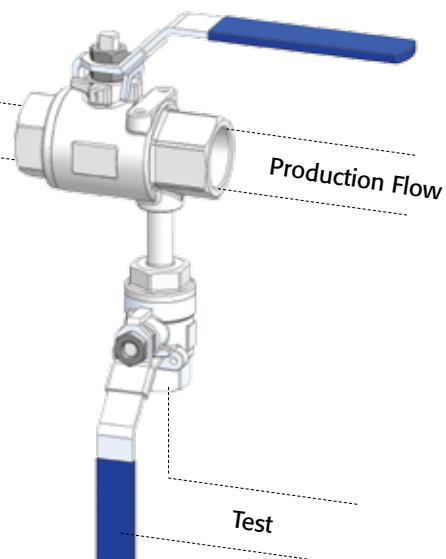
- 1/2"-2" Block Valve - 1/4" Bleed Valve
- 316SS Construction
- Carbon-Graphite RTFE Seat
- Threaded Ends
- 2000 psi
- Full Port
- Seal-Welded Ends
- Locking Handle
- Blowout Proof Stem
- NACE Compliant MR0175
- Firesafe Design To API-607 5<sup>TH</sup> Edition

Installing an A-T Controls WB Series block & bleed valve assembly eliminates the need for isolation on well head pressure relief feed, filter skid pressure relief and dryer skid relief feed lines. This changes the dynamics of pressure relief re-certification!

Eliminating the need for additional maintenance and component removal reduces down-time, and the possibilities of leakage and gasket replacement.



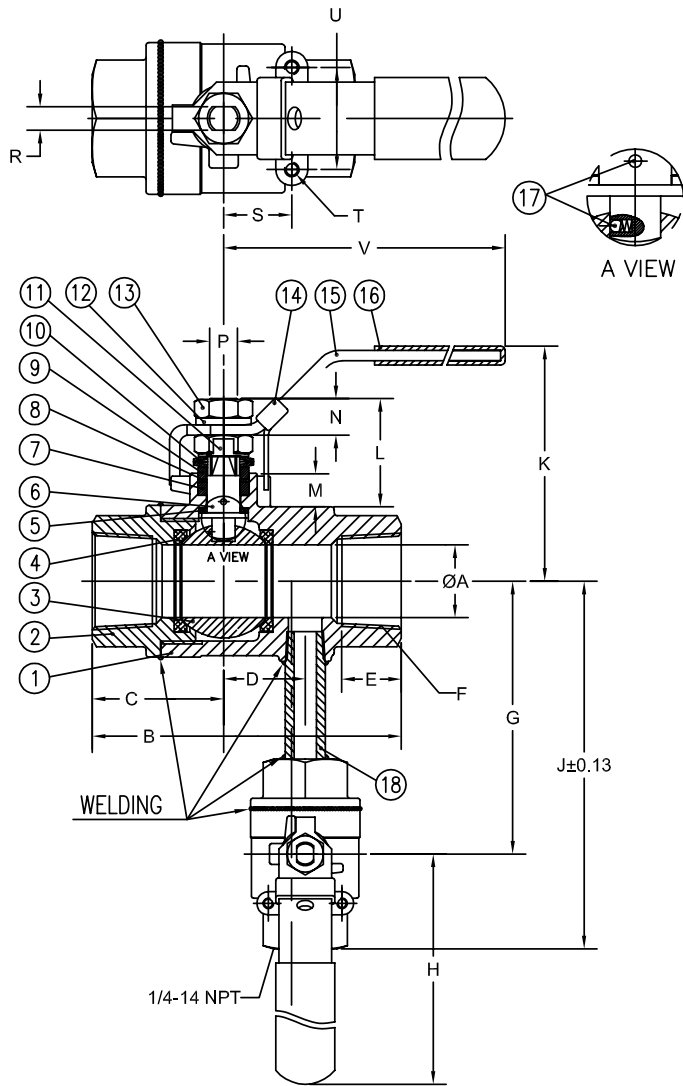
Triac Division  
11363 Deerfield Rd.  
Cincinnati, Ohio 45242  
PHONE (513) 247-5465  
FAX (513) 247-5462  
e-mail: sales@a-tcontrols.com  
www.a-tcontrols.com



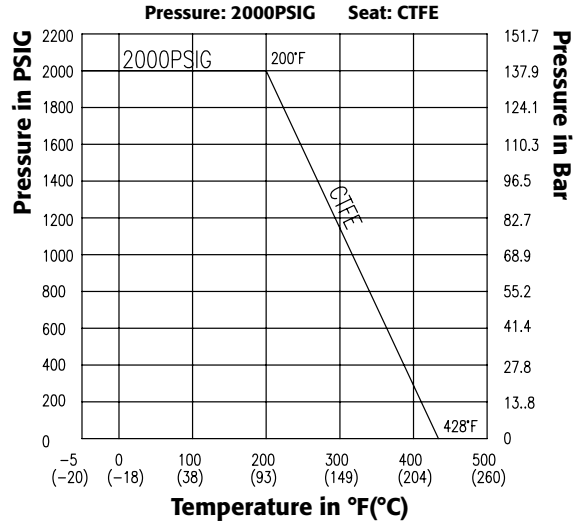
**LOWER maintenance costs by ELIMINATING down-time for testing**

# WB Series Well Site Block & Bleed Assembly

- 2-Piece Full Port Ball Valves
- 1/2" - 2" 2000WOG
- Threaded Ends
- NACE MR0175
- API-607 5<sup>TH</sup> Edition
- Seal-Welded Design for Zero Leakage
- Blowout Proof Stem Design



## PRESSURE VS. TEMPERATURE CHART



## MATERIAL LIST

NO.	PART NAME	QTY	MATERIAL
1	Body	1	CF8M
2	End Cap	1	CF8M
3	Ball	1	SS316
4	Seat	2	25% Carbon/PTFE
5	Stem Seal	1	50% SS/PTFE
6	Stem Seal	1	SS316
7	Stem Packing	1	Graphite
8	Stem Packing	1	RTFE
9	Follower	1	SS304
10	Belleville Washer	2	SS301
11	Tab Washer	1	SS304
12	Stem Washer	*	SS304
13	Stem Nut	2	SS304
14	Locking Device	1	SS304
15	Handle	1	SS304
16	Handle Sleeve	1	Vinyl
17	Anti-Static Device	2	SS316
18	Pipe	1	SS316

\* 1/2" QTY is 0 pcs.  
\* 3/4" - 2" QTY is 1 pc.

## DIMENSIONS

SIZE	A	B	C	D	E	F	G	H	J	K	L	M	N	P	R	S
1/2"	0.60	3.23	X	0.85	0.63	1/2" NPT	3.40	5.12	4.68	2.74	1.07	0.37	0.28	0.37	0.26	0.50
3/4"	0.79	3.54	X	0.94	0.67	3/4" NPT	3.50	5.12	4.78	2.85	1.28	0.35	0.45	0.37	0.26	0.88
1"	0.98	4.13	X	1.10	0.80	1" NPT	3.68	5.12	4.96	3.10	1.35	0.41	0.48	0.43	0.31	0.92
1-1/2"	1.50	5.12	X	1.48	0.89	1-1/2" NPT	4.03	5.12	5.31	3.85	1.62	0.41	0.63	0.55	0.38	1.00
2"	1.97	5.71	X	1.70	1.02	2" NPT	4.33	5.12	5.61	4.16	1.52	0.37	0.63	0.55	0.38	1.00

A-T Controls reserves the right to change product designs and technical/dimensional specifications without notice.



Triac Division  
11363 Deerfield Rd.  
Cincinnati, Ohio 45242  
PHONE (513) 247-5465  
FAX (513) 247-5462  
e-mail: sales@a-tcontrols.com  
www.a-tcontrols.com