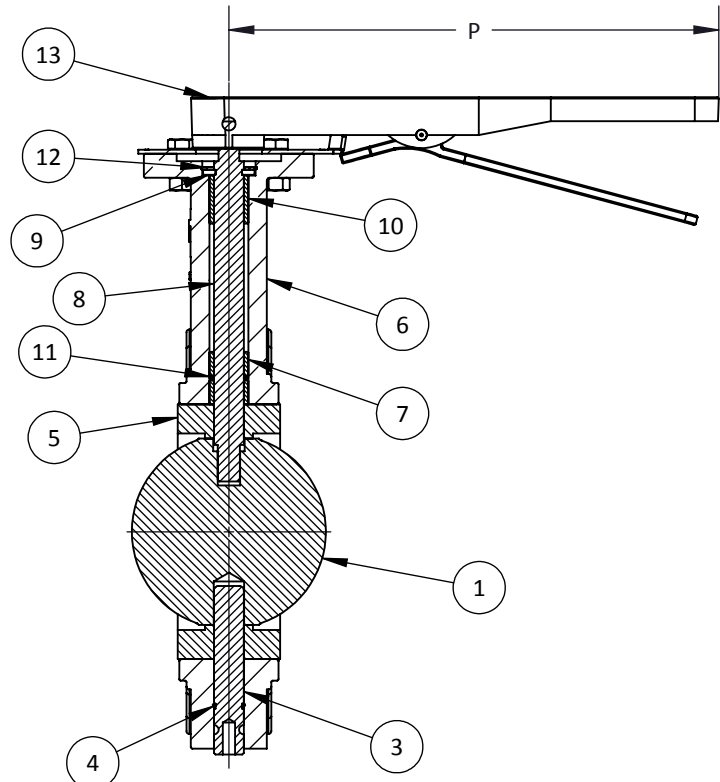
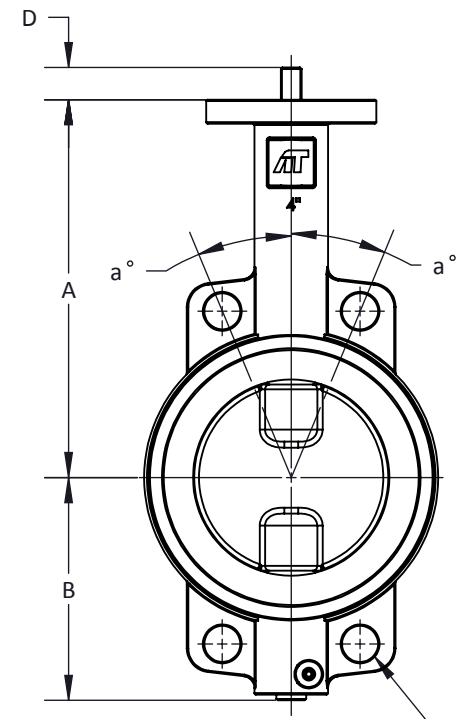


LEVER PLATE

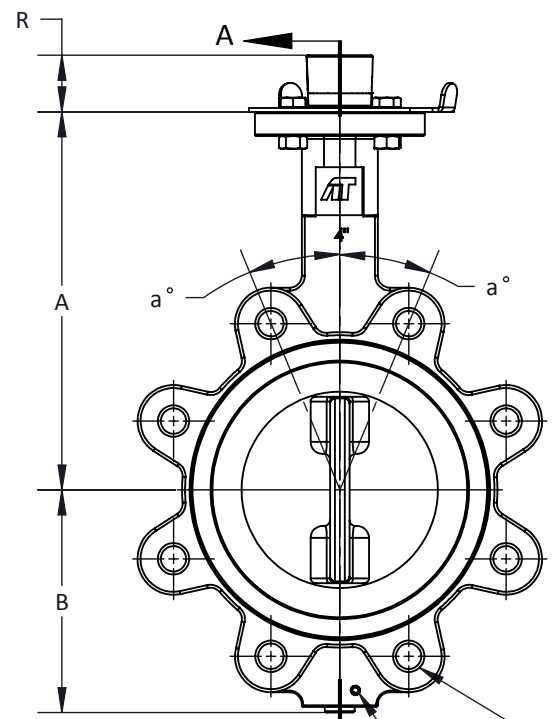


SECTION A-A

ITEM	QTY.	DESCRIPTION	MATERIALS	OPTIONAL MATERIALS
1	1	DISC	DUCTILE IRON-ENP PLATED	ALUMINUM BRONZE, 316 STAINLESS STEEL, NYLON COATED, PTFE COATED STAINLESS STEEL, AND PTFE COATED DUCTILE IRON
2	1	LOWER SHAFT RETAINER PIN	ASTM A-582	
3	1	LOWER SHAFT	416 STAINLESS STEEL	316 STAINLESS STEEL
4	1	LOWER SHAFT O-RING	BUNA-N	EPDM, VITON®
5	1	SEAT	BUNA-N	EPDM, VITON®, EPDM BACKED PTFE
6	1	BODY	DUCTILE IRON	CAST IRON, 316 STAINLESS STEEL
7	2	LOWER BUSHING	BRONZE	OTHERS ON REQUEST
8	1	UPPER SHAFT	416 STAINLESS STEEL	316 STAINLESS STEEL
9	2	SHAFT KEEPER RING	STEEL	
10	1	UPPER BUSHING	BRONZE	OTHERS ON REQUEST
11	1	UPPER SHAFT O-RING	BUNA-N	EPDM, VITON®
12	1	RETAINING RING	STEEL	
13	1	HANDLE	DUCTILE IRON	



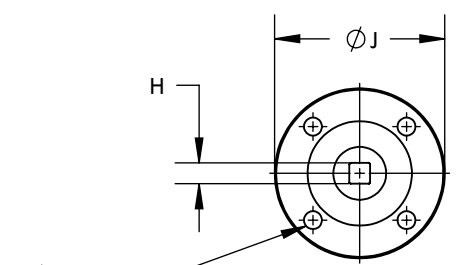
Ø K BOLT CIRCLE
Ø L2 HOLE
M2 NO. OF HOLES



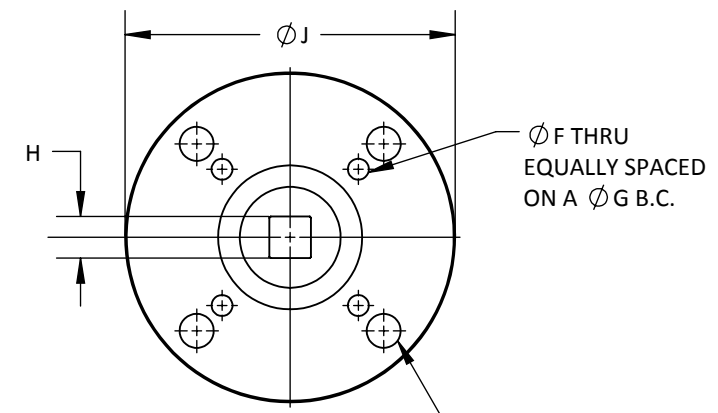
Ø K BOLT CIRCLE
Ø L1 HOLE
M1 NO. OF HOLES

DIMENSION "C" REPRESENTS VALVE SEAT IN RELAXED CONDITION. APPROXIMATELY 1/8" OF TOTAL COMPRESSION IS REQUIRED FOR PROPER SEALING WITH PIPE FLANGES.

SIZE	A	B	C	D	F	F1	G	G1	H	J	K	L1	L2	M1	M2	a°	WEIGHT (WAFER)	WEIGHT (LUG)	O	P	Q	R	ISO5211
2"	6.38	3.13	1.75	0.67	0.38	N/A	2.756	N/A	0.354	3.54	4.75	5/8-11 UNC	0.75	4	4	45	6 LBS	9 LBS	2.00	10.51	4.45	1.18	F07
2-1/2"	6.88	3.50	1.94	0.67	0.38	N/A	2.756	N/A	0.354	3.54	5.50	5/8-11 UNC	0.75	4	4	45	7 LBS	13 LBS	2.50	10.51	4.45	1.18	F07
3"	7.13	3.75	1.94	0.67	0.38	N/A	2.756	N/A	0.354	3.54	6.00	5/8-11 UNC	0.75	4	4	45	10 LBS	14 LBS	3.10	10.51	4.45	1.18	F07
4"	7.88	4.75	2.13	0.67	0.38	N/A	2.756	N/A	0.433	3.54	7.50	5/8-11 UNC	0.75	8	4	22.5	13 LBS	19 LBS	4.10	10.51	4.45	1.18	F07
5"	8.38	5.00	2.34	0.71	0.38	N/A	2.756	N/A	0.551	3.54	8.50	3/4-10 UNC	0.88	8	4	22.5	18 LBS	22 LBS	4.85	10.51	4.45	1.18	F07
6"	8.88	5.50	2.25	0.71	0.38	0.44	2.756	4.016	0.551	4.92	9.50	3/4-10 UNC	0.88	8	4	22.5	21 LBS	31 LBS	6.12	10.51	4.45	1.18	F07/F10
8"	10.25	6.88	2.50	0.71	0.44	0.71	4.016	5.512	0.669	6.88	11.75	3/4-10 UNC	0.88	8	4	22.5	34 LBS	49 LBS	7.96	14.13	6.63	1.32	F10/F14
10"	11.50	8.00	2.85	1.02	0.44	0.71	4.016	5.512	0.748	6.88	14.25	7/8-9 UNC	1.00	12	4	15	45 LBS	72 LBS	9.86	14.13	6.63	1.32	F10/F14
12"	13.25	9.50	3.22	1.18	0.44	0.71	4.016	5.512	0.866	6.88	17.00	7/8-9 UNC	1.00	12	4	15	74 LBS	105 LBS	11.88	20.75	6.63	1.44	F10/F14



2" - 5" VALVES



6" - 12" VALVES

MOUNTING PAD DETAILS

6" VALVE HAS TWO MOUNTING PATTERNS (F07 AND F10)

8" - 12" VALVES HAVE TWO MOUNTING PATTERNS (F10 AND F14)

THE DESIGN AND DISCLOSURE CONTAINED IN THIS DRAWING WAS ORIGINATED BY, AND IS EXCLUSIVE PROPERTY OF A-T CONTROLS, INC. IT IS FURNISHED FOR VENDOR INFORMATION ONLY AND IS NOT AN AUTHORIZATION OR LICENSE TO MAKE THIS CONSTRUCTION OR TO FURNISH THIS INFORMATION TO OTHERS. ALL DRAWINGS MUST BE RETURNED TO A-T CONTROLS, INC. ON DEMAND. THIS DRAWING IS NOT TO BE REPRODUCED OR COPIED IN ANY FORM WITHOUT THE EXPRESS WRITTEN PERMISSION OF A-T CONTROLS, INC.



Division of A-T Controls, Inc.
9955 International Boulevard
Cincinnati, Ohio 45246
Phone: (513) 247-5465
Fax: (513) 247-5462

DRAWN	CHECKED BY	APPROVED
MPW	DW	
DATE	DATE	DATE
2/8/13	2/8/13	

DESCRIPTION
**A-T CONTROLS 2" THRU 12" OS SERIES BUTTERFLY VALVE
STANDARD DIMENSIONS**



DO NOT SCALE DRAWINGS

1586	2/19/15	MPW
1585	2/16/2015	NPM
ECN#	DATE	BY